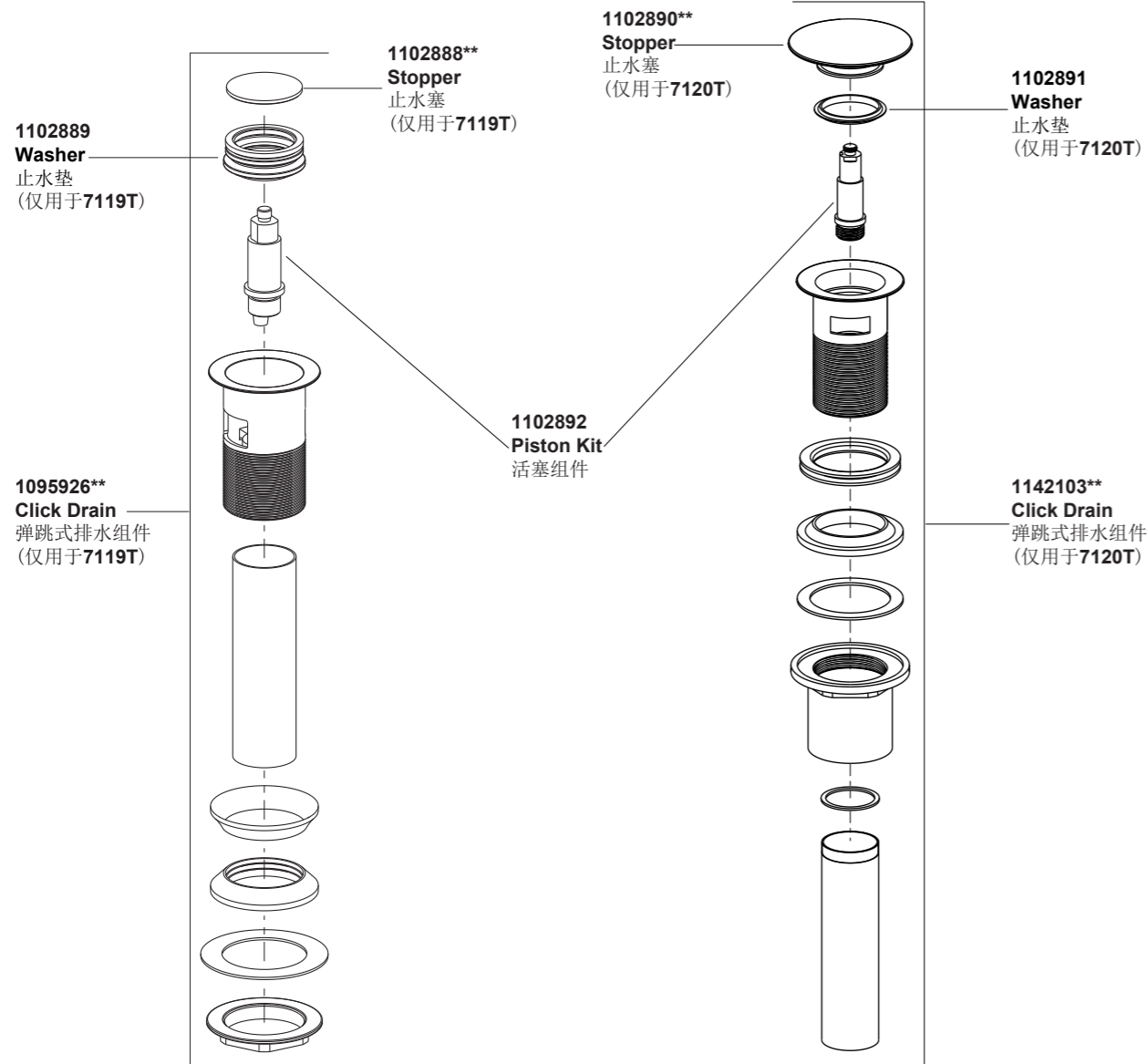


R7119T R7120T 弹跳式落水



\*\*订购时请说明颜色编号  
 \*\*Color code must be specified when ordering

7119T 7120T 弹跳式落水

**安装之前**

所有的资料是按最新出版的产品资料编写而成。科勒公司保留任何时候不经通知即可改变产品特性、包装或产品可供类型的权利。

说明书包括重要的安装、保养及清洁方面的内容，请把这些资料交给用户阅读。

**注意事项：**

1. 遵守当地管路安装条例。
2. 关闭主供水源。
3. 尽可能在安装脸盆之前安装落水。

**BEFORE YOU BEGIN**

All information is based on the latest product information available at the time of publication. Kohler Co. reserves the right to make changes in product characteristics, packaging, or availability at any time without notice.

Please leave these instructions for the consumer. They contain important information.

**NOTE:**

1. Observe all local plumbing and building codes.
2. Shut off the main water supply.
3. If possible, install this drain before installing the lavatory.

**使用说明**

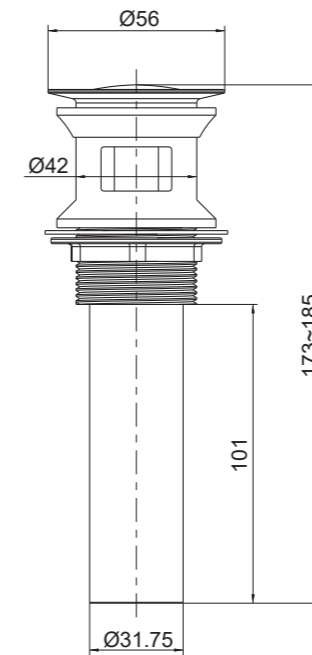
按压止水塞打开或关闭排水。

**OPERATION INSTRUCTION**

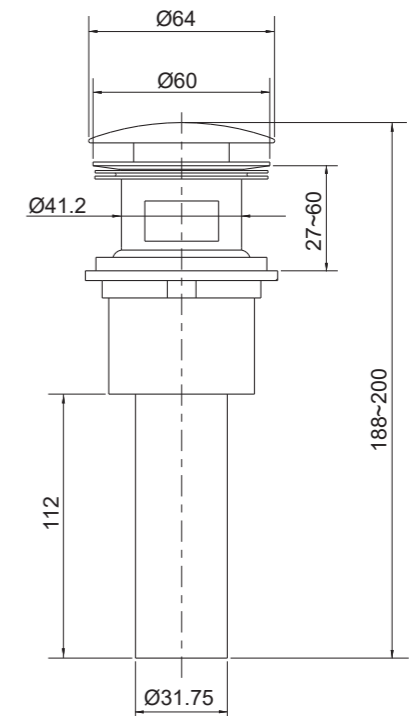
Press the stopper to open or close.

**安装尺寸**

**ROUGH-IN DIMENSIONS**



**7119T**



**7120T**

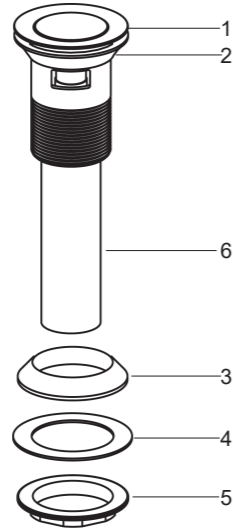
## 安装步骤

### 安装7119T

把锁紧螺母(5)、塑料垫片(4)、橡胶垫圈(3)和尾管(6)从排水本体上取下。在尾管螺纹处须缠绕足以密封的密封胶带或涂合适的密封胶，装回排水本体。把排水本体从脸盆上部孔插入。再依次将橡胶垫圈(小面朝上)、塑料垫片和锁紧螺母从排水本体底部装入。锁紧螺母。

**注意：**如果需要，可直接在排水器盘片(1)底面沿周围涂一圈密封油灰或其它密封剂，而不使用橡胶垫片(2)。

在锁紧螺母拧紧后，不可调整排水本体的位置，否则会破坏油灰或密封剂密封。



## INSTALLATION

### Installation for 7119T

Remove the locknut(5), plastic washer(4), rubber gasket(3) and tailpiece(6) from the drain body. Supply enough tape or sealant to tailpiece thread. Reinstall the tailpiece. Insert the drain body into the lavatory. Put the rubber gasket(Tapered side up), plastic washer and locknut back to the drain body in turn. Tighten the locknut.

**Note:** If needed, apply a ring of plumbers putty or other sealants around the underside of the drain flange(1), instead of using rubber washer(2).

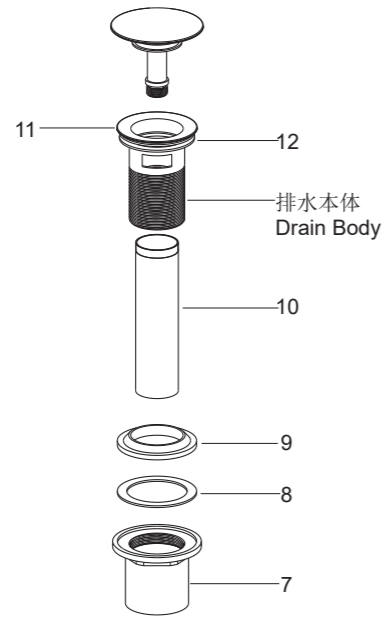
Do not reposition the drain after the locknut is tightened, or you may break the putty or sealant seal.

### 安装7120T

把锁紧螺母(7)、塑料垫片(8)、橡胶垫圈(9)和尾管(10)从排水本体依次取下。在尾管螺纹处须缠绕足以密封的密封胶带或涂合适的密封胶，并装回排水本体。把排水本体从脸盆上部孔插入。再依次将橡胶垫圈(小面朝上)、塑料垫片和锁紧螺母从脸盆下方装回到排水本体上。锁紧螺母。

**注意：**如果需要，可直接在法兰盘(11)底面沿周围涂一圈密封油灰或其它密封剂，而不使用橡胶垫片(12)。

在锁紧螺母拧紧后，不可调整排水本体的位置，否则会破坏油灰或密封剂密封。



### Installation for 7120T

Remove the locknut(7), plastic washer(8), rubber gasket(9) and tailpiece(10) from the drain body. Supply enough tape or sealant to tailpiece thread. Reinstall the tailpiece. Insert the drain body into the lavatory. Install the rubber gasket (Tapered side up), plastic washer and locknut back to the drain body in turn. Tighten the locknut.

**NOTE:** If needed, apply a ring of plumbers putty or other sealants around the underside of the drain flange(11), instead of using rubber washer(12).

Do not reposition the drain after the locknut is tightened, or you may break the putty or sealant seal.

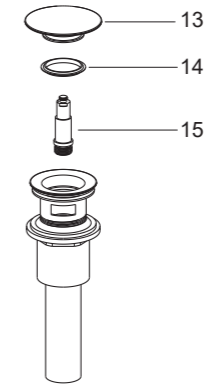
## 安装后检查

检查并确保所有的衔接螺帽都已拧紧。

打开主要供水源，打开/关闭排水器，检查并修理有漏水的接口。

### 更换止水垫及活塞组件

逆时针旋下止水塞(13)，取出止水垫(14)。更换新的止水垫。逆时针旋下活塞组件(15)，更换新的活塞组件。装回止水垫及止水塞。



## INSTALLATION CHECKOUT

Ensure all coupling nuts are tightened.

Turn on main water supply. Turn on or shut off the drain. Check for leaks. Repair as required.

### Replacing the Washer and Piston Kit

Turn counter-clockwise to remove the stopper(13). Take out washer(14). Replace with a new one. Turn counter-clockwise to remove the piston kit(15). Replace with a new one. Reinstall stopper and washer.

## 清理说明

适用于所有加工处理过的表面：以中性肥皂水清洗镀层表面，再以干净的软布彻底擦干整个表面，许多清洁剂，比如氨水、去污粉及洁厕灵等，会对电镀表面造成伤害，切忌使用。

有磨损性的清洁用具或清洁剂也不可适用于科勒牌的水龙头及其配件上。

## CLEANING INSTRUCTIONS

All Finishes: Clean the finish with mild soap and warm water. Wipe entire surface completely dry with clean soft cloth. Many cleaners may contain chemicals, such as ammonia, chlorine, toilet cleaner etc, which could adversely affect the finish and are not recommended for cleaning.

Do not use abrasive cleaners or solvents on Kohler faucets and fittings.